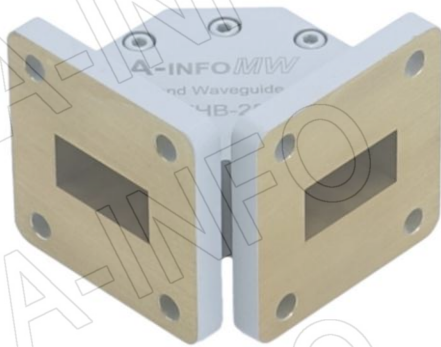


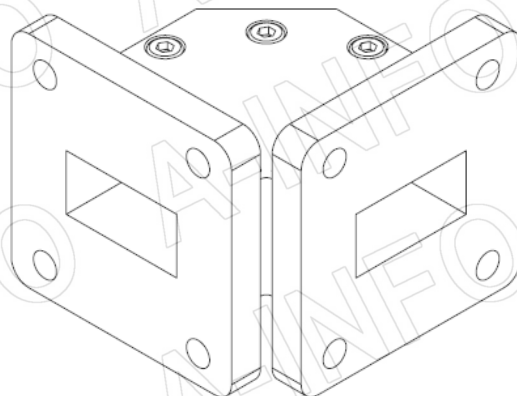
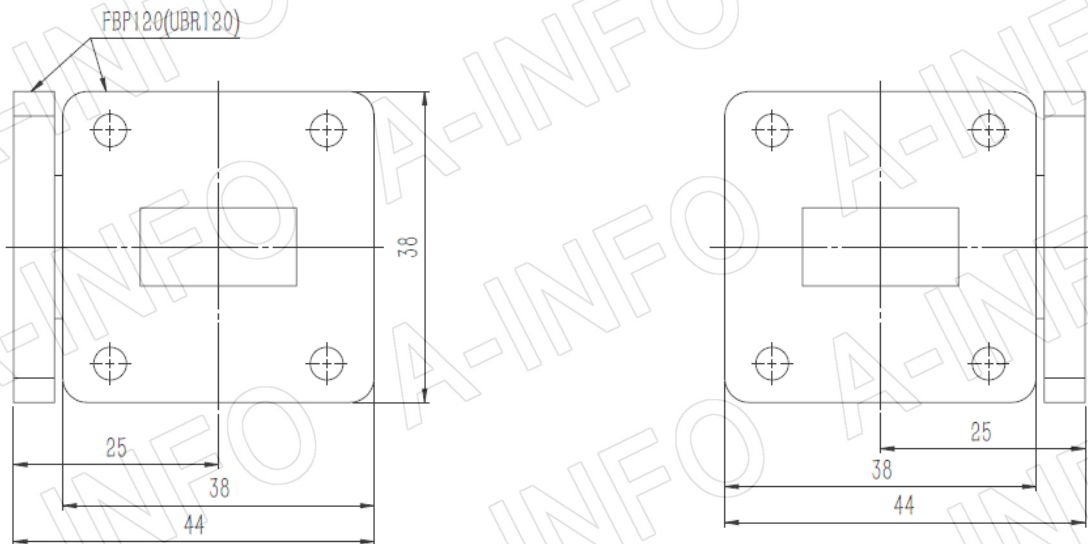
For reference only. See data sheet for the detailed specifications.

Technical Specification

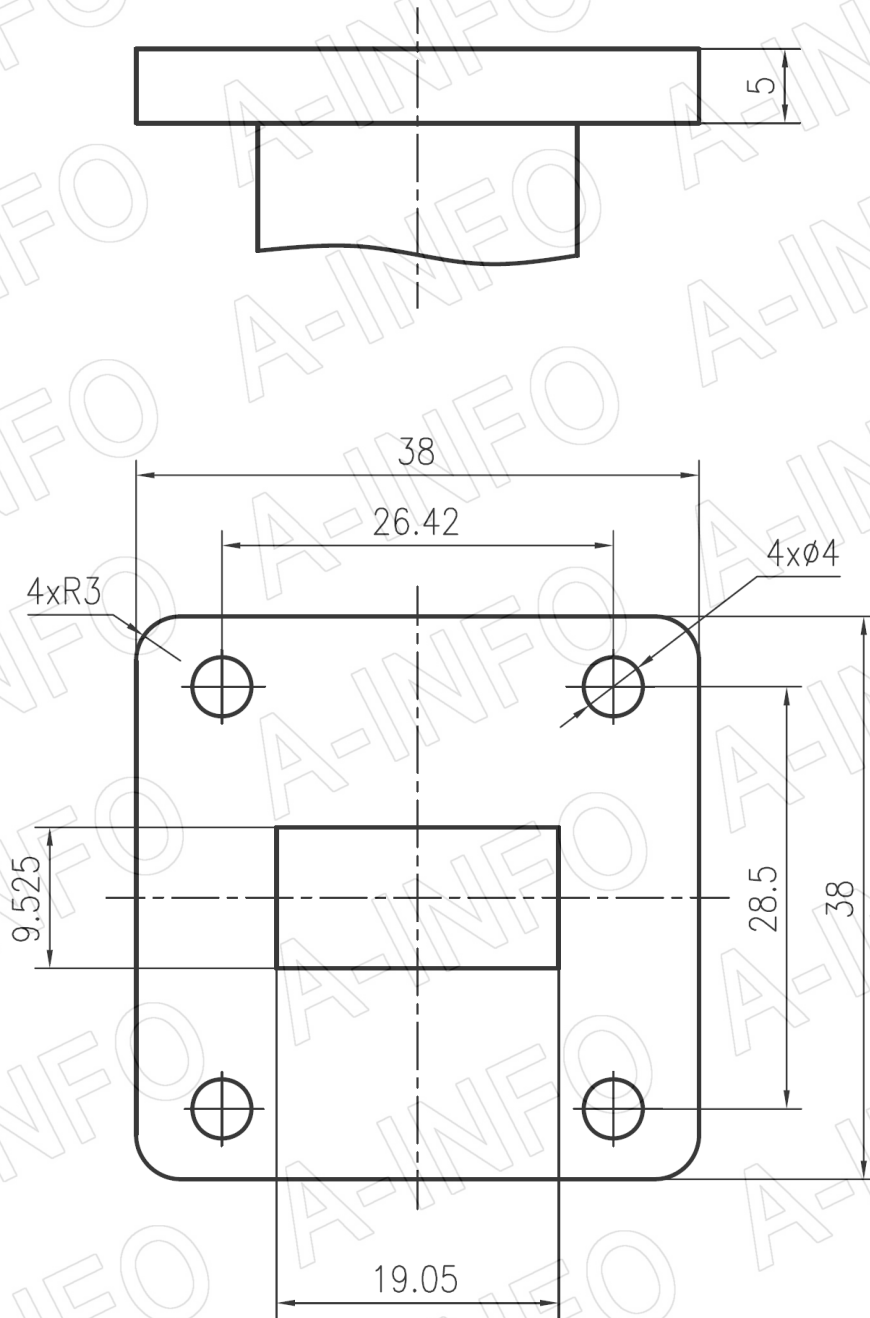


EIA WR	WR75
Frequency Range (GHz)	10.0 – 15.0
Insertion Loss(dB)	0.2 Max.
VSWR	1.30:1 Max.
Flange	FBP120(UBR120)
Material	Al
Size(mm)	44 x 44 x 38
Net Weight(Kg)	0.07 Around

Outline Drawing (Size: mm)



Flange Drawing (Size: mm)



FBP120

AINFO Inc.

Page 2 of 3

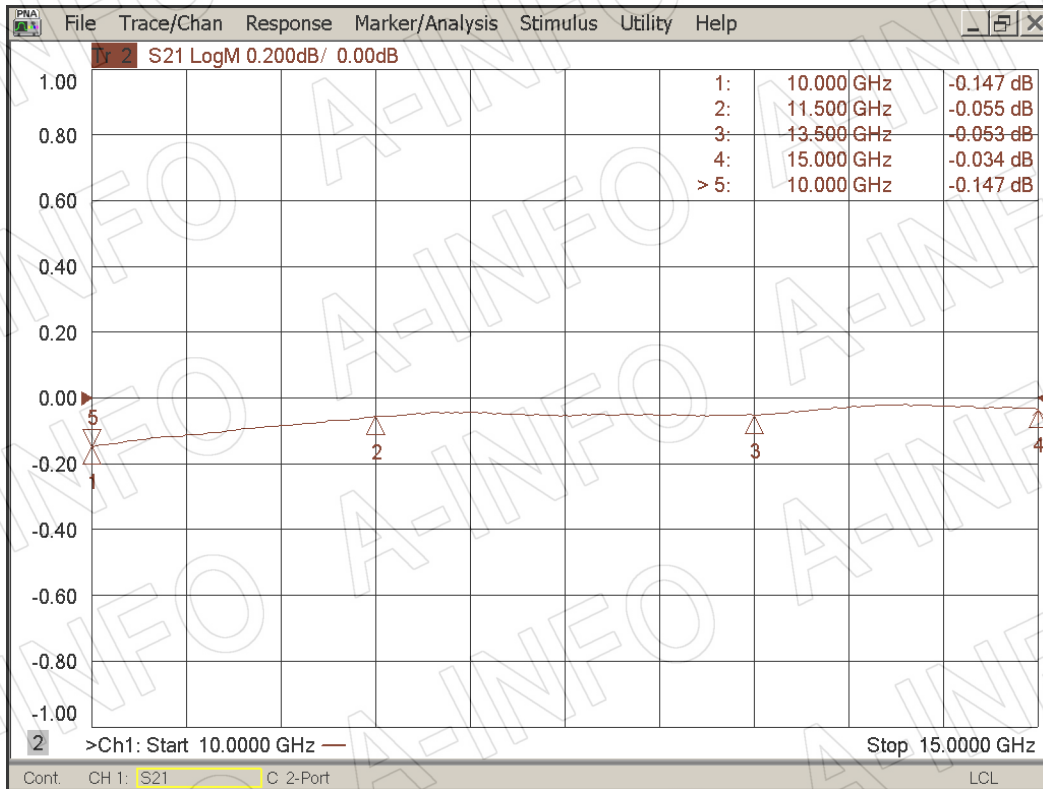
China(Beijing): Tel: (+86) 10-6266-7326,
China(Chengdu): Tel: (+86) 28-8519-2786,
USA : Tel: (+1) 949-639-9688,

(+86) 10-6266-7327 Fax: (+86) 10-6266-7379
(+86) 28-8519-3044 Fax: (+86) 28-8519-3068
(+1) 949-639-9608 Fax: (+1) 949-639-9670

Website: www.ainfoinc.com
Email: sales@ainfoinc.com

Test Results

Insertion Loss



VSWR

